



Weigh Pack Electrical

WPE NUWEIGH JAC350

Digital Weight Indicator

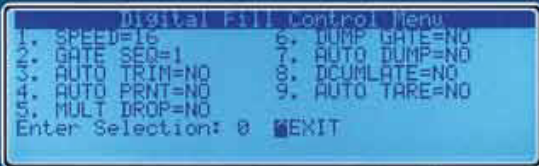


240 x 64 Pixel Graphics Display with transfective technology allows the JAC 350 display to be viewed under any lighting conditions from direct sunlight to total darkness. One-inch-high (25 mm) weight characters make viewing easy.

The JAC 350 Powerful Graphics LCD!

Digital Fill Control

The JAC 350 easy-to-use set-up screens economize time configuring weighing operations. You can easily configure and update the JAC 350 to meet your specific operational requirements for your weighing application.



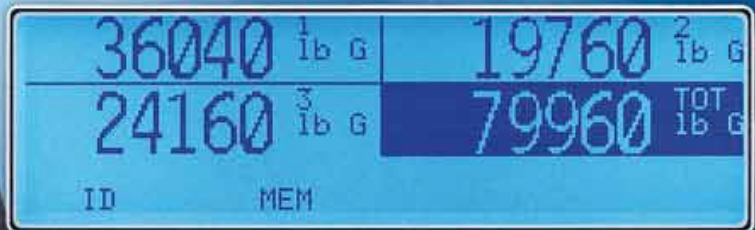
Truck ID Storage



Entering, viewing, and storing truck names is easy with the JAC 350 convenient Truck ID menu. Complete alphanumeric descriptions for truck and material prompts make storing and recalling tare weight values quick and simple.

Batching Operations

The JAC 350 dazzling graphics display is perhaps most apparent during batching set-up. Formula ingredients can be named for quick recognition, and, if desired, Nuweigh can custom program display prompts and images.



VIEW UP TO 3 SCALES WITH TOTAL WEIGHT SIMULTANEOUSLY
With the optional dual scale input board, no special software is needed.



USE THE NAVIGATION KEYS TO TOGGLE BETWEEN SCALES
The JAC 350 is the answer to monitoring multiple scales.

4 SOFT KEYS

Allows menu-driven, user-friendly operation

BACKLIT LCD

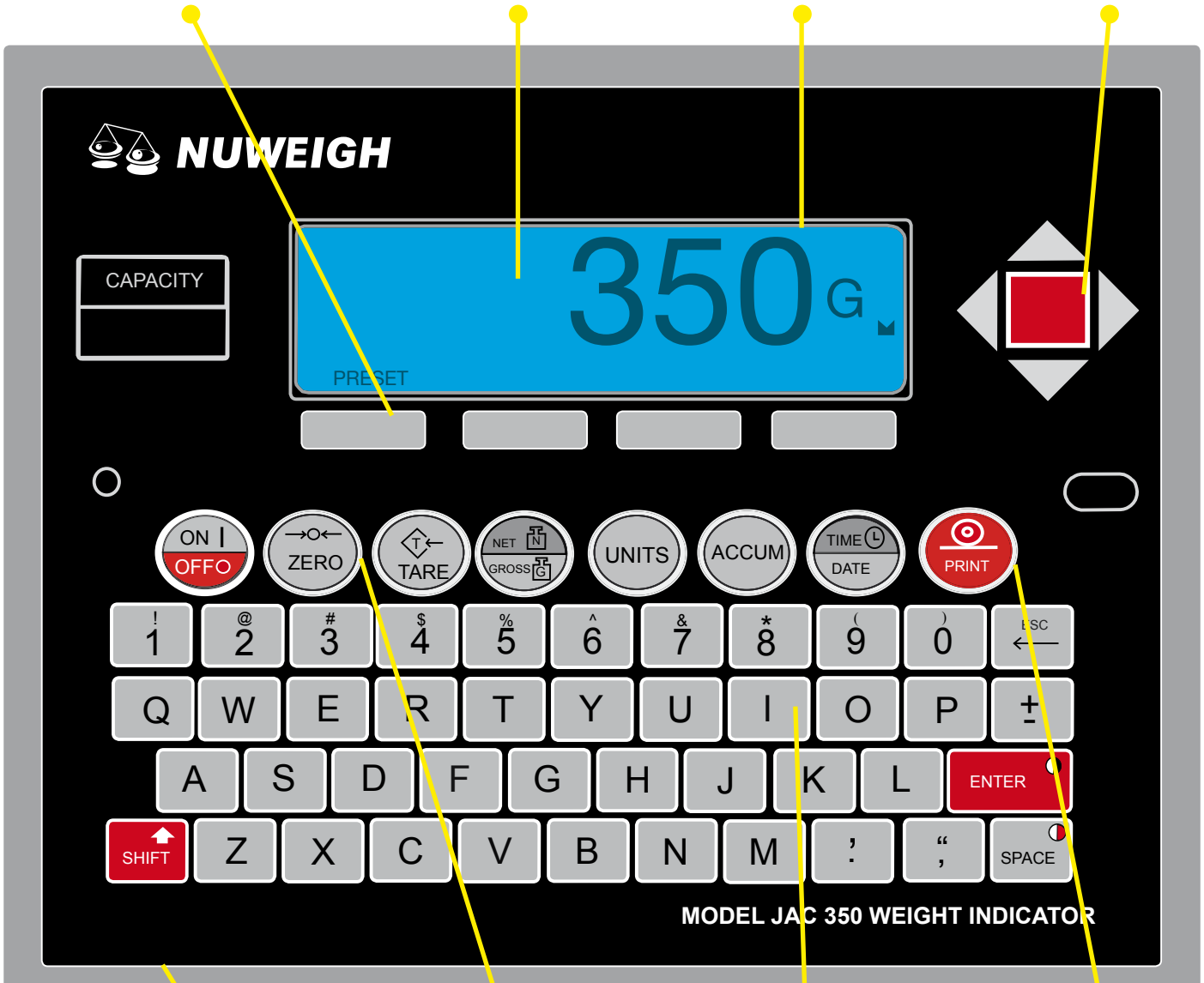
Bright and bold indoors or in direct sunlight

GRAPHICS DISPLAY

240 x 64 pixel graphics LCD

NAVIGATION KEYS

Interactive ENTER and scroll arrows



STAINLESS STEEL

Rugged NEMA 4X/ IP66 enclosure

FIXED FUNCTION KEYS

Easily accessible for commonly used tasks

QWERTY KEYBOARD

Full alphanumeric keyboard

PRINTER OUTPUT

VISUALIZER software for label/ticket creation

Completely Menu-Driven for Intuitive Set-up and Configuration

The convenient navigation keys on the right side of the indicator's keypad include an easy-to-use red ENTER button. The JAC 350 is completely menu-driven, so you simply need to make your selection and let the JAC 350 guide you through the set-up steps. For example, to configure ID Storage, select number 1 as the Mode of Operation. You can then access other ID-related set-up screen like ID Counter by answering follow-up questions. The JAC 350 does the rest by configuring the normal operating screens such that each operational step associated with ID Storage is located within the four soft keys.





Infrared (IR) Data Port

Allows remote operation of the JAC 350 with special software on a pocket PC.

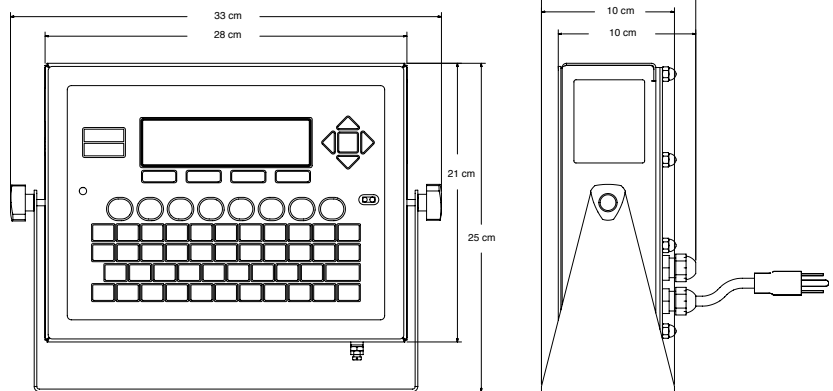


JAC350 DIGITAL WEIGHT INDICATOR

WPE's multifunctional JAC 350 digital weight indicator features piece counting, checkweighing, batching, 200 ID fields, and much more. Enclosed in a rugged NEMA 4X/IP66 stainless steel enclosure for reliable operation in harsh environments, the JAC 350 has what you need for fill control, vehicle weight management, and multiple scale monitoring.



Nuweigh 300 series indicators are enhanced by the company's proprietary **VISUALIZER** Ticket and Label Generation Software which also allows file transfer between the indicator and PC.



Features

- Piece count
- Digital fill control
- Checkweigher
- Multi-interval
- Multiple reports
- Adjustable filtering
- Multi-point calibration
- 8 input control lines
- 16 output control lines
- Electronic tally roll
- Alphanumeric keypad
- Consecutive numbering
- Gross, Tare, Net calculation
- Keypad and push button tare
- 16 preset weight comparators
- 200 IDs with cross reference
- Accumulator - gross, net, or batch

Options

- External relay I/O
- Ethernet
- RS-232
- Allen Bradley® remote I/O
- Plastic or glass fiber optics
- Bluetooth®
- Ethernet/IP

Specifications

- Display:** 240 x 64 pixel 127mm W x 34mm H monochrome graphics LCD with white LED backlight
- Annunciators:** Zero, ID, mem, stable, accum, max, over, under, accept, 16 Preset Weight Comparators
- Keyboard:** 60 key keypad with QWERTY keys plus four soft keys and 13 function keys
- Units:** lb / kg / tn / t / g / oz / custom
- Division Value:** 1, 2, or 5 x 10, 1, 0.1, 0.01, 0.001, 0.0001
- Sample Rate:** 1 to 200 samples per second, selectable
- Auto Zero Range:** 0.5 or 1 through 9 graduations
- Excitation:** 12 VDC
- Sensitivity:** 0.5 μ V/division (0.02 - 3.3 mV/V input)
- Resolution:** 16 million internal / 240,000 displayed
- Power:** 110/240 VAC, 50 or 60 Hz
- Temp. Range:** -10 to +40° C
- I/O:** 3 bi-directional RS232 / 1 bi-directional 20mA / 1 output only RS232/20 mA / 8 remote inputs / 16 control outputs

Email: Sales@weighpackelectrical.com.au
Service@weighpackelectrical.com.au

Phone: 0488 199 318